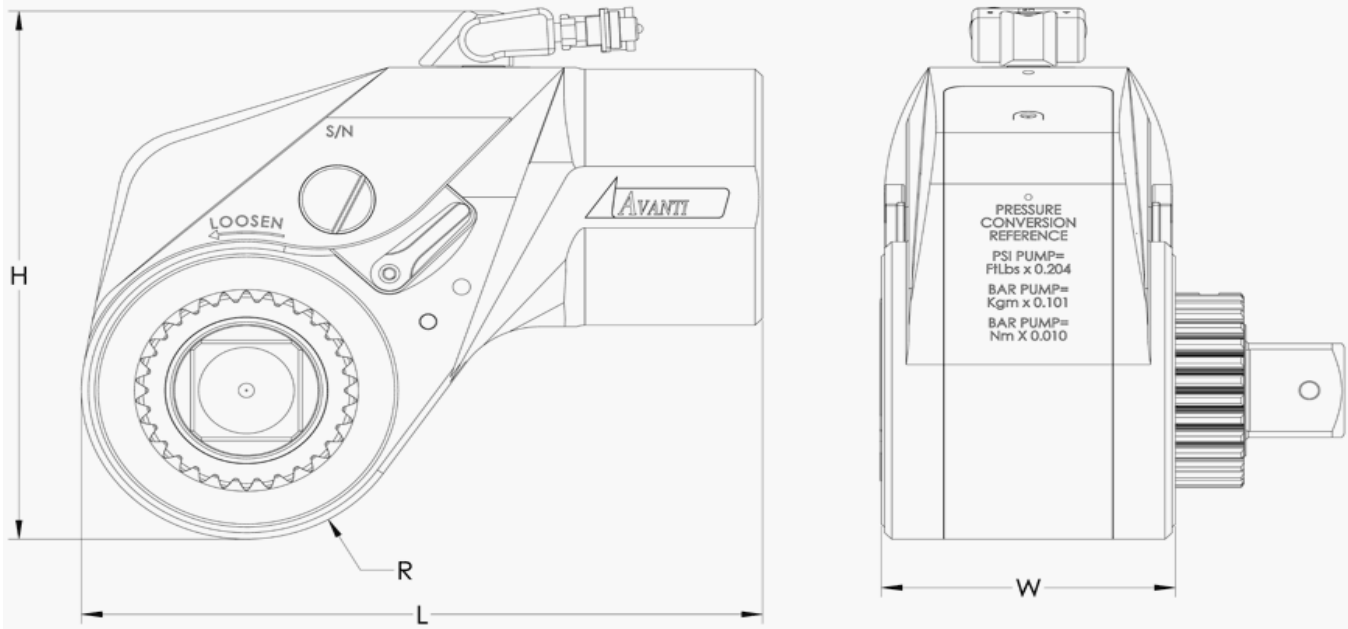


AVANTI Dimensions



IMPERIAL

MODEL	DRIVE	R	L	H	W	Weight lbs.	Min Torque ft. lbs.	Max Torque ft. lbs.	Max Bolt Load lbs.
AVANTI .7	¾"	0.99	4.14	4.21	1.79	3.1	115	767	61,000
AVANTI 1	¾"	1.13	5.04	4.92	2.18	4.5	193	1,284	90,000
AVANTI 3	1"	1.5	6.53	6.31	2.9	9.45	445	2,969	177,000
AVANTI 5	1 ½"	1.86	7.86	7.41	3.38	15.6	804	5,360	231,000
AVANTI 8	1 ½"	2.07	8.83	8.38	3.86	20.75	1,164	7,760	326,000
AVANTI 10	1 ½"	2.38	9.92	9.29	4.35	29.2	1,761	11,743	360,000
AVANTI 20	2 ½"	2.6	11.64	10.26	5.07	47.7	2,760	17,890	565,000
AVANTI 35	2 ½"	3.19	14.31	12.33	6.51	82.75	4,775	31,830	789,000
AVANTI 50	2 ½"	3.95	16.3	14.03	7.04	125.7	7,202	46,126	980,000
AVANTI 80	3 ½"	4.69	19.52	16.84	7.49	280.5	12,738	84,921	1,200,000
AVANTI 130	3 ½"	5.31	22.73	20.14	8.5	585	19,395	138,510	1,500,000

METRIC

MODEL	DRIVE	R	L	H	W	Weight Kg.	Min Torque Nm	Max Torque Nm	Max Bolt Load Kn
AVANTI .7	¾"	25	105.2	106.9	45.3	1.4	156	1040	271
AVANTI 1	¾"	28.6	127.9	124.9	55.2	2	261	1741	400
AVANTI 3	1"	38.1	165.9	160.2	73.7	4.3	604	4025	787
AVANTI 5	1 ½"	47.2	199.5	188.2	85.9	7.1	1090	7267	1027
AVANTI 8	1 ½"	52.5	224.2	212.7	98	9.4	1578	10521	1450
AVANTI 10	1 ½"	60.3	252	236	110.5	13.3	2388	15921	1601
AVANTI 20	2 ½"	66	295.7	260.6	128.8	21.7	3742	24255	2513
AVANTI 35	2 ½"	81	363.4	313.2	165.4	37.6	6473	43155	3509
AVANTI 50	2 ½"	100.3	414	356.4	178.8	57.1	9764	62538	4359
AVANTI 80	3 ½"	119.1	495.8	427.7	190.2	127.5	17270	115136	5338
AVANTI 130	3 ½"	134.9	577.3	511.6	215.9	265.9	26296	187792	6672

AVANTI ARM DISC AND CLAMP DRIVE DIMENSIONS

MODEL	AO	AR	S	Sq	Standard Bolt Range	HYTORC DISC		HYTORC CLAMP	
						DH	DD	CH	CD
AVANTI .7	2.4	5.76	0.47	0.75	¼ - 1 ¼	2.69 - 3.88	1.66 - 2.85	1.42 - 2.24	1.20 - 2.00
AVANTI 1	2.38	6.09	0.5	0.75	1 - 1 ½	3.57 - 4.66	2.21 - 3.42	1.89 - 2.69	1.60 - 2.40
AVANTI 3	3.17	8.12	0.75	1	1 ¾ - 1 7/8	4.47 - 5.59	3.23 - 4.41	2.78 - 3.46	2.20 - 3.00
AVANTI 5	3.83	9.72	0.8	1.5	1 ¾ - 2 ¼	5.86 - 6.60	4.13 - 5.24	3.29 - 4.16	2.80 - 3.53
AVANTI 8	4.58	10.23	0.88	1.5	2 - 2 ½	6.06 - 8.13	4.76 - 5.67	3.75 - 4.50	3.20 - 4.00
AVANTI 10	4.58	12.15	1	1.5	2 ¼ - 3	7.64 - 9.21	5.24 - 6.54	4.80 - 6.30	3.53 - 4.80
AVANTI 20	5.75	14.58	1.2	2.5	2 ¾ - 3 ¾	8.73 - 10.30	6.10 - 8.50	5.86 - 7.65	4.40 - 6.00
AVANTI 35	6.93	17.57	1.45	2.5	3 ¼ - 4 ¾	10.00 - 12.32	7.48 - 10.16	6.75 - 9.50	5.20 - 7.60
AVANTI 50	7.8	19.79	1.63	2.5	4 - 5 ½	11.00 - 13.40	8.82 - 11.45	8.00 - 10.73	6.40 - 8.80