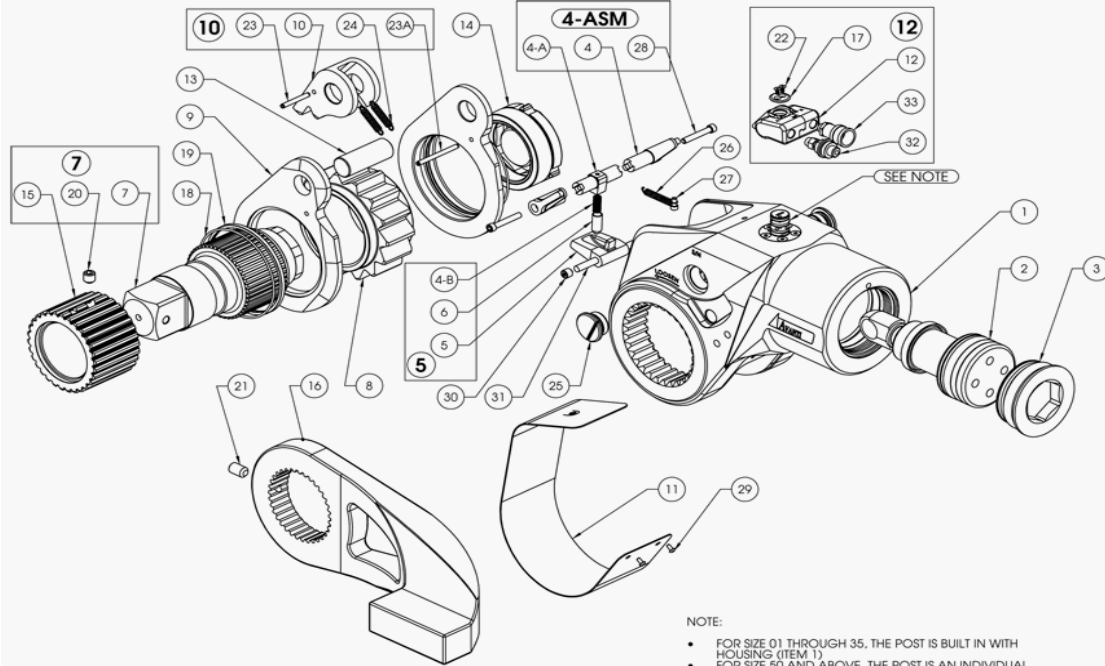


AVANTI Parts List



NOTE:

- FOR SIZE 01 THROUGH 35, THE POST IS BUILT IN WITH HOUSING (ITEM 1)
- FOR SIZE 50 AND ABOVE, THE POST IS AN INDIVIDUAL PART WITHIN UNISWIVEL ASSEMBLY (ITEM 12)

ITEM	QTY.	Description	AV-.7	AV-1	AV-3	AV-5	AV-8	AV-10	AV-20	AV-35	AV-50	AV-80	AV-130
1	1	Housing	AV-.7-01	AV-01-01	AV-03-01	AV-05-01	AV-08-01	AV-10-01	AV-20-01	AV-35-01	AV-50-01	AV-80-01	AV-130-01
2	1	Piston Assembly	AV-.7-25	AV-01-25	AV-03-25	AV-05-25	AV-08-25	AV-10-25	AV-20-25	AV-35-25	AV-50-25	AV-80-25	AV-130-25
3	1	End Cup	MXT-7-26	MXT-01-26	MXT-03-26	MXT-05-26	AV-08-34	AV-10-34	MXT-20-26	MXT-35-26	AV-50-34	AV-80-34	AV-130-34
4	1	Disengagement Lever (R/L)	AV-.7-15A	AV-01-15A	AV-03-15A	AV-05-15A	AV-08-15A	AV-10-15A	AV-20-15A	AV-35-15A	AV-50-15A	AV-80-15A	AV-130-15A
4-A	1	Disengagement Lever Pivot Shaft	AV-.7-15B	AV-01-15B	AV-03-15B	AV-05-15B	AV-08-15B	AV-10-15B	AV-20-15B	AV-35-15B	AV-50-15B	N/A	AV-130-15B
4-ASM	1	Disengagement Lever Assembly	AV-.7-15	AV-01-15	AV-03-15	AV-05-15	AV-08-15	AV-10-15	AV-20-15	AV-35-15	AV-50-15	AV-80-15	AV-130-15
4-B	1	Reaction Pawl Push Pin Spring	AV-.7-18	AV-01-18	AV-03-18	AV-05-18	AV-08-18	AV-10-18	AV-20-18	AV-35-18	AV-50-18	AV-80-18	AV-130-18
5	1	Reaction Pawl Assembly	AV-.7-10	AV-01-10	AV-03-10	AV-05-10	AV-08-10	AV-10-10	AV-20-10	AV-35-10	AV-50-10	AV-80-10	AV-130-10
6	1	Reaction Pawl Push Pin	AV-.7-42	AV-01-42	AV-03-42	AV-05-42	AV-08-42	AV-10-42	AV-20-42	AV-35-42	AV-50-42	N/A	AV-130-42
7	1	Square Drive Assembly	AV-.7-05	AV-01-05	AV-03-05	AV-05-05	AV-08-05	AV-10-05	AV-20-05	AV-35-05	AV-50-05	AV-80-05	AV-130-05
8	1	Ratchet	AV-.7-06	AV-01-06	AV-03-06	AV-05-06	AV-08-06	AV-10-06	AV-20-06	AV-35-06	AV-50-06	AV-80-06	AV-130-06
9	2	Drive Plates (Left / Right)	AV-.7-04L/R	AV-01-04L/R	AV-03-04L/R	AV-05-04L/R	AV-08-04L/R	AV-10-04/R	AV-20-04L/R	AV-35-04L/R	AV-50-04L/R	AV-80-04L/R	AV-130-04L/R
10	1	Drive Pawl Assembly	AV-.7-63	AV-01-63	AV-03-63	AV-05-63	AV-18-63	AV-10-63	AV-20-63	AV-35-63	AV-50-63	AV-80-63	AV-130-63
11	1	Shroud	AV-.7-31	AV-01-31	AV-03-31	AV-05-31	AV-08-31	AV-10-31	AV-20-31	AV-35-31	AV-50-31	AV-80-31	AV-130-31
12	1	Uniswivel Assembly	AV-001CL	AV-001CL	AV-003CL	AV-003CL	AV-003CL	AV-010CL	AV-010CL	AV-010CL	AV-010CL	MXT-010A	AV-130-001
13	1	Rod Pin	AV-.7-19	AV-01-19	AV-03-19	AV-05-19	AV-08-19	AV-10-19	AV-20-19	AV-35-19	AV-50-19	AV-80-19	AV-130-19
14	1	Drive Retainer Assembly	AV-.7-11	AV-01-11	AV-03-11	AV-05-11	AV-08-11	AV-10-11	AV-20-11	AV-35-11	AV-50-11	AV-80-11	AV-130-11
15	1	Drive Spline Sleeve Assembly	AV-.7-07	AV-01-07	AV-03-07	AV-05-07	AV-08-07	AV-10-07	AV-20-07	AV-35-07	AV-50-07	AV-80-07	AV-130-07
16	1	Reaction Arm	AV-.7-03	AV-01-03	AV-03-03	AV-05-03	AV-08-03	AV-10-03	AV-20-03	AV-35-03	AV-50-03	AV-80-03	AV-130-03
17	1	Uniswivel Cap	AV-01-001P	AV-01-001P	AV-03-001P	AV-03-001P	AV-03-001P	AV-10-001P	AV-10-001P	AV-10-001P	AV-10-001P	N/A	AV-10-001P
18	1	Drive Plate Retaining Ring Backup Ring	AV-.7-20	AV-01-20	AV-03-20	AV-05-20	AV-08-20	AV-10-20	AV-20-20	AV-35-20	AV-50-20	AV-80-20	AV-130-20
19	1	Drive Plate Retaining Ring	AV-.7-30	AV-01-30	AV-03-30	AV-05-30	AV-08-30	AV-10-30	AV-20-30	AV-35-30	AV-50-30	AV-80-30	AV-130-30
20	1	Sq. Drive Set Screw	AV-.7-5A	AV-01-5A	AV-03-5A	AV-05-5A	AV-08-5A	AV-10-5A	AV-20-5A	AV-35-5A	AV-50-5A	AV-80-5A	AV-130-5A
21	1	Reaction Arm Set Screw	AV-.7-22	AV-01-22	AV-03-22	AV-05-22	AV-08-22	AV-10-22	AV-20-22	AV-35-22	AV-50-22	AV-80-22	AV-130-22
22	2	Uniswivel Cover Screw	AV-01-13	AV-01-13	AV-03-13	AV-03-13	AV-03-13	AV-10-13	AV-10-13	AV-10-13	AV-10-13	N/A	AV-10-13
23	1	Drive Pawl Spring Pin	AV-.7-40	AV-01-40	AV-03-40	AV-05-40	AV-08-40	AV-10-40	AV-20-40	AV-35-40	AV-50-40	AV-80-40	AV-130-40
23A	1	Drive Plate Dowel Pin	AV-.7-41	AV-01-41	AV-03-41	AV-05-41	AV-08-41	AV-10-41	AV-20-41	AV-35-41	AV-50-41	AV-80-41	AV-130-41
24	2	Drive Pawl Spring	AV-.7-27	AV-01-27	AV-03-27	AV-05-27	AV-08-27	AV-10-27	AV-20-27	AV-35-27	AV-50-27	AV-80-27	AV-130-27
25	2	Access Plug with O-Ring	AV-.7-02	AV-01-02	AV-03-02	AV-05-02	AV-08-02	AV-10-02	AV-20-02	AV-35-02	AV-50-02	AV-80-02	AV-130-02
26	1	Shroud Spring	AV-.7-59	AV-01-59	AV-03-59	AV-05-59	AV-08-59	AV-10-59	AV-20-59	AV-35-59	AV-50-59	AV-80-59	AV-130-59
27	1	Shroud Spring Screw	AV-.7-58	AV-01-58	AV-03-58	AV-05-58	AV-08-58	AV-10-58	AV-20-58	AV-35-58	AV-50-58	AV-80-58	AV-130-58
28	2	Disengagement Lever Screw	AV-.7-39	AV-01-39	AV-03-39	AV-05-39	AV-08-39	AV-10-39	AV-20-39	AV-35-39	AV-50-39	AV-80-39	AV-130-39
29	2	Shroud Screw	AV-.7-32	AV-01-32	AV-03-32	AV-05-32	AV-08-32	AV-10-32	AV-20-32	AV-35-32	AV-50-32	AV-80-32	AV-130-32
30	2	Reaction Pawl Pin Set Screw	AV-.7-65	AV-01-65	AV-03-65	AV-05-65	AV-08-65	AV-10-65	AV-20-65	AV-35-65	AV-50-65	AV-80-65	AV-130-65
31	1	Reaction Pawl Pin	AV-.7-43	AV-01-43	AV-03-43	AV-05-43	AV-08-43	AV-10-43	AV-20-43	AV-35-43	AV-50-43	AV-80-43	AV-130-43
32	1	Male Coupler	090155-1/8	090155-1/8	090155-1/4	090155-1/4	090155-1/4	090155-1/4	090155-1/4	090155-1/4	090155-1/4	090155-1/4	090155-1/4
33	1	Female Coupler	090156-1	090156-1	90156	90156	90156	90156	90156	90156	90156	90156	90156
34	1	Housing Seal Kit (Not Shown)	AV-.7-62	AV-01-62	AV-03-62	AV-05-62	AV-08-62	AV-10-62	AV-20-62	AV-35-62	AV-50-62	AV-80-62	AV-130-62
35	1	Uniswivel Seal Kit (Not Shown)	AV-01-00	AV-01-00	AV-03-00	AV-03-00	AV-03-00	AV-10-00	AV-10-00	AV-10-00	AV-10-00	MXT-010-00	AV-10-00
36	1	MAINTENANCE KIT (Not Shown)	MK-AV.7	MK-AV1	MK-AV3	MK-AV5	MK-AV8	MK-AV10	MK-AV20	MK-AV35	MK-AV50	MK-AV80	MK-AV130